

MOBEL 1200 CREDENZA

Assembly Instructions

Thank you for your purchase

Please follow the instructions for correct assembly



Hardware Supplied

Below parts may vary:



A-Camlock x29



B-Dowel x14



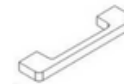
C- Screws x8
3.5*16



D- Hinge x4



E- Hinge x2



F- Handle x3



G-Bolt x1



H- Lock x2



I- Screws x6
4*12



J- Screws x6
3*12



K-Screws x12
4*16

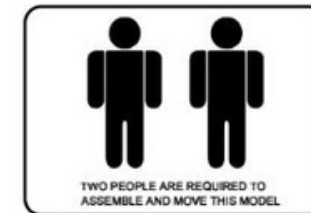
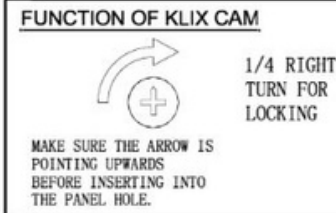


L- Shelf Supporter x 8



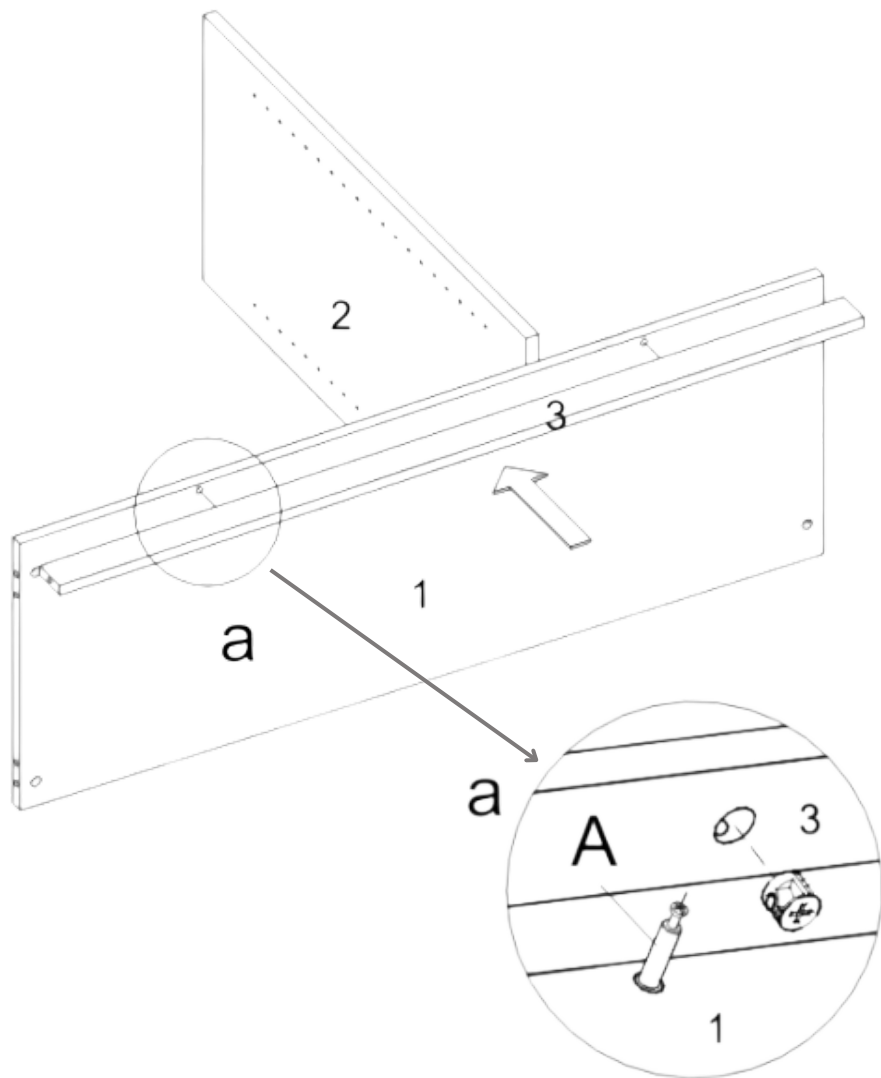
M-Locking Piece x1

IMPORTANT:

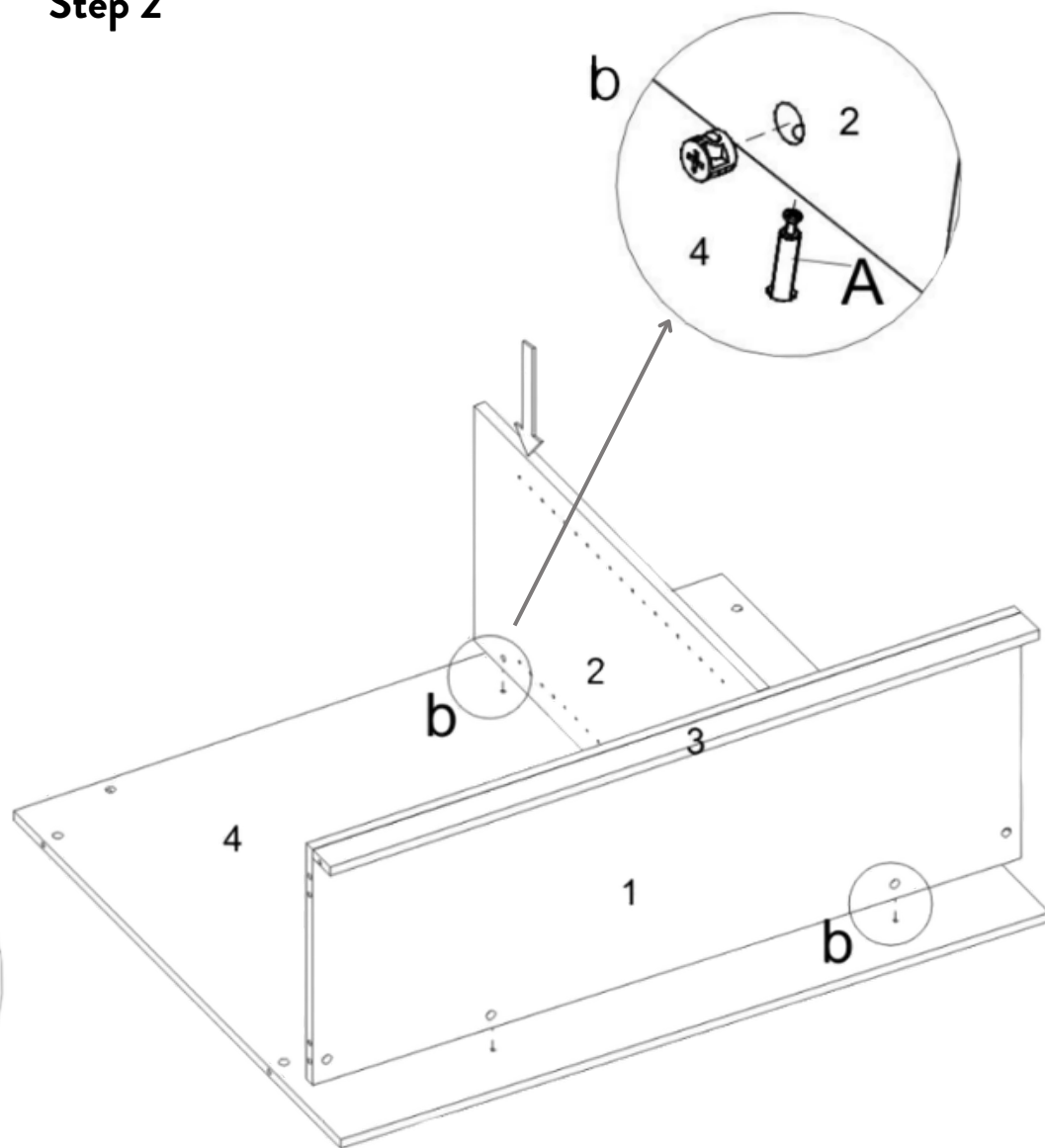


You will need a phillips screwdriver to assemble this unit

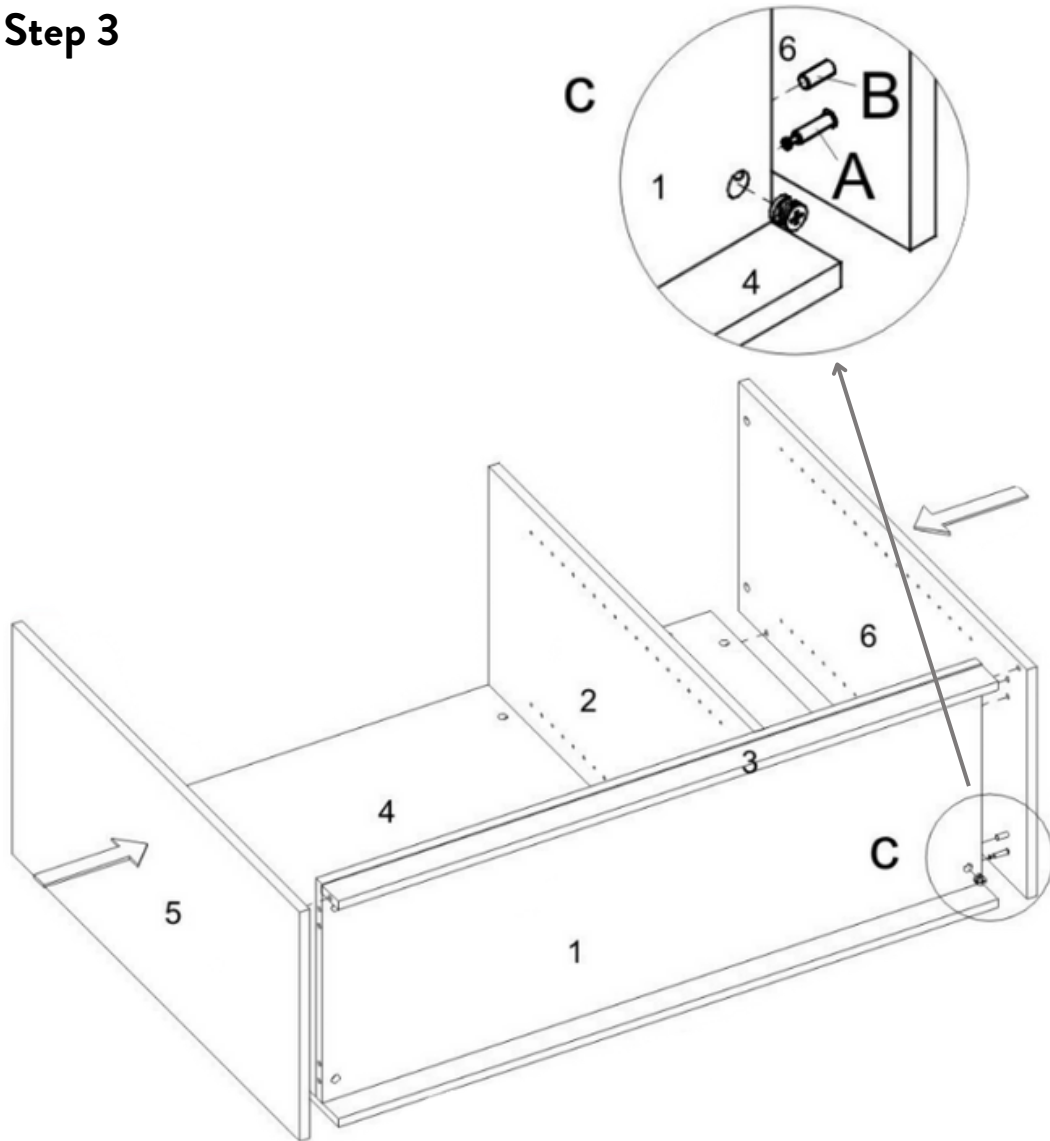
Step 1



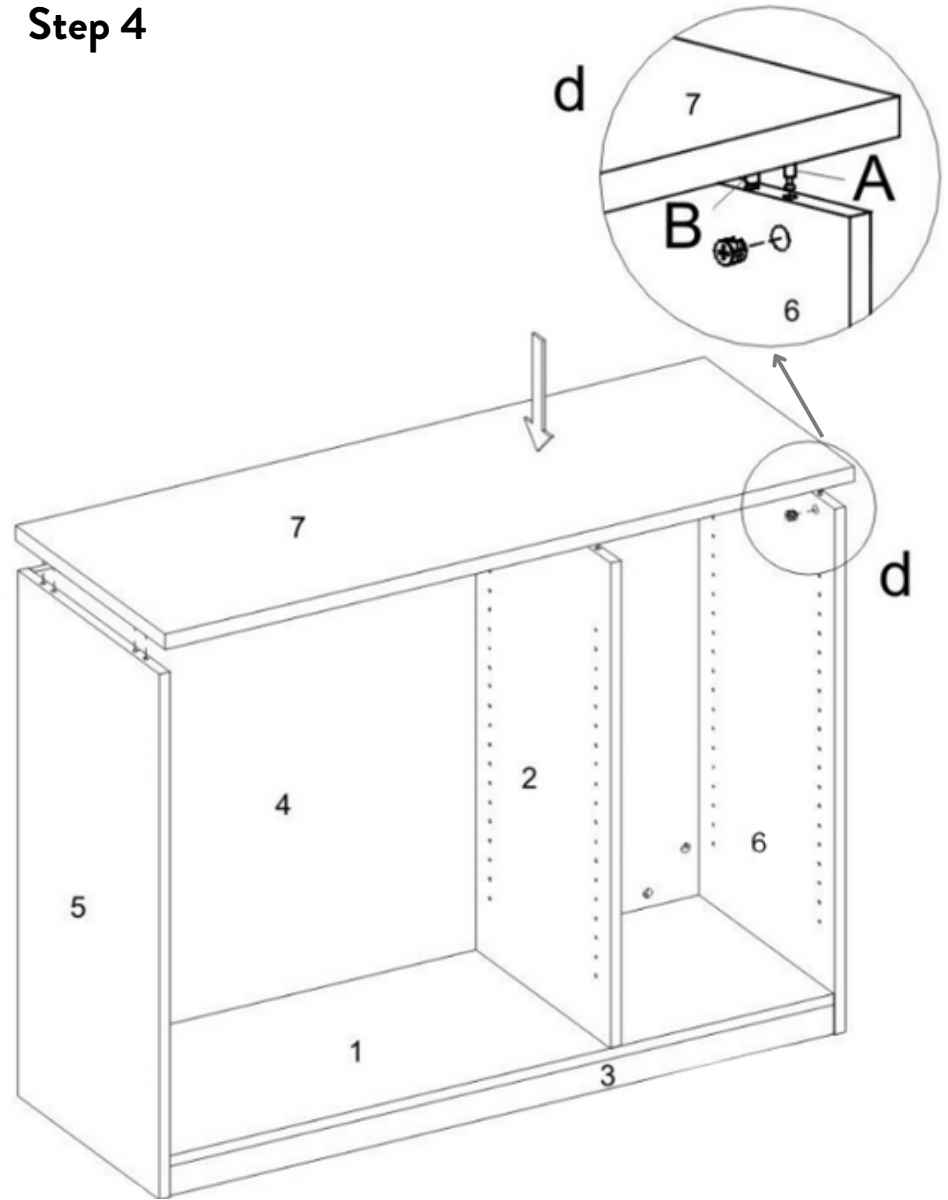
Step 2



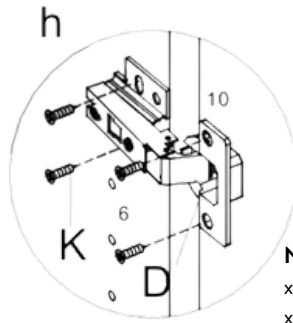
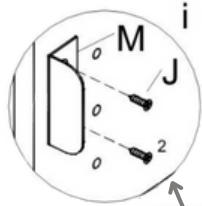
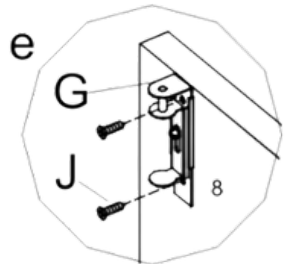
Step 3



Step 4

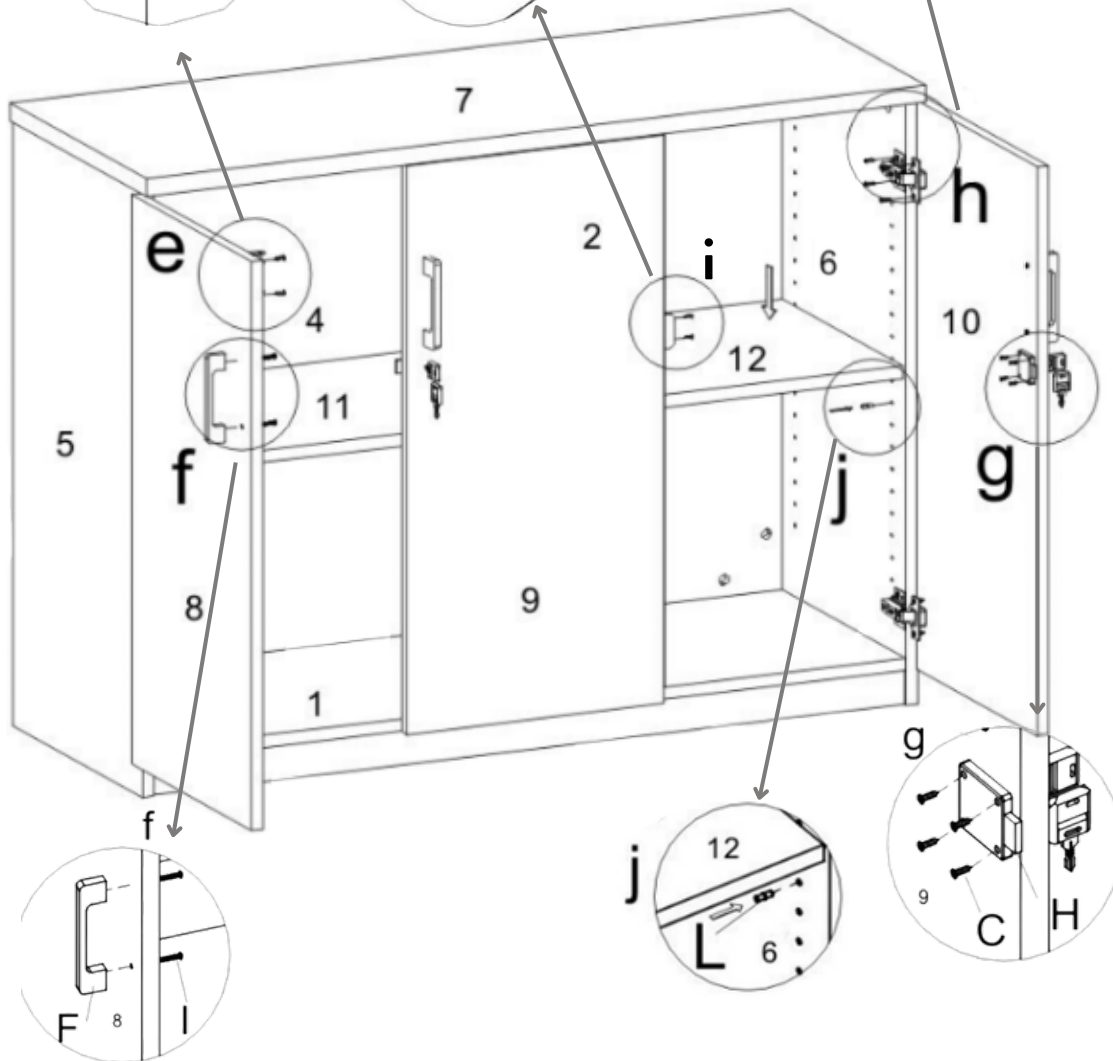


Step 5



NOTE:

x4 Curved Hinges are for the outside doors
x2 Flat Hinges are for the inside door



Step 6



Hinge Adjustment

